

4

3

2

1



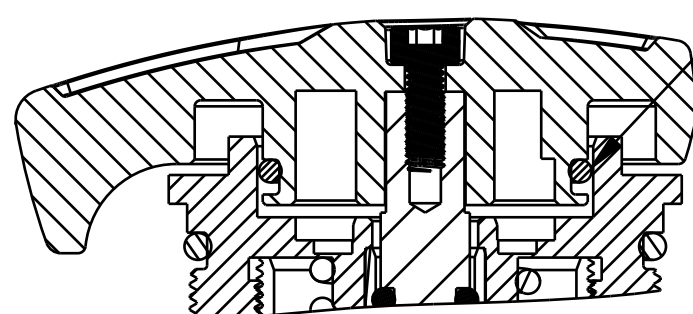
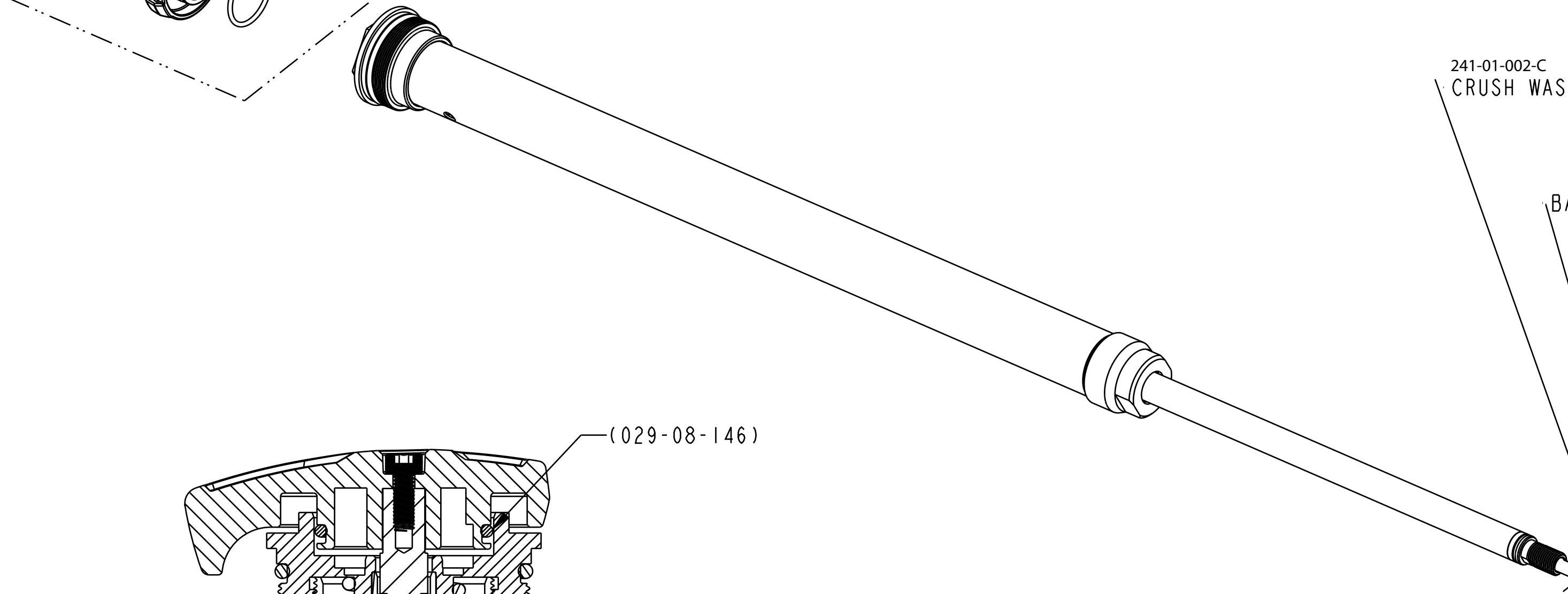
019-01-115
Fastener Standard (Metric): Screw, Socket Head, M2.5 X 8

210-03-179
Damping Adj Part: Knob, Comp Selector, 2-Stroke, Molded 34 and 36

820-05-373-KIT
2017 GRIP Topcap Interface Parts

029-08-146
Seals: O-Ring [19.0MM ID x 1.5MM CS] Metric, N-70, Static

INSTALL O-RING DRY



SECTION A-A
SCALE 2.000

241-01-002-C
CRUSH WASHER

BASE STUD INERFACE PARTS

018-01-004-A
Fastener, Standard: Screw [#8-32 X 0.250 TLG]

TORQUE:
5.0±0.5 IN.LB.

LOCTITE:
BLUE 242 OR 243
ONE DROP

TORQUE:
50±5 IN.LB.

REBOUND KNOB

241-00-005
BOTTOM NUT

FOX FOX Factory, Inc. Ph 831-768-1100
 130 Hangar Way, Watsonville, CA 95076 USA Fax 831-768-9312

TITLE
**CARTRIDGE ASSY COMPLETE,
 34 GRIP RHYTHM**

- PROPRIETARY -
THIS DOCUMENT CONTAINS CONFIDENTIAL, PROPRIETARY INFORMATION
THAT IS FOX PROPERTY. DO NOT DISCLOSE TO OR DUPLICATE
FOR OTHERS EXCEPT AS AUTHORIZED BY FOX.

SIZE DWG. NO.

C

PLOT SCALE 0.75:1

SHEET 1 OF 2

4

3

2

ProE ASSEM